

Technical Data Sheet



Catalog No. P2XGF21-2-N

Characteristics	
Phase	1
KVA	2
Primary	240x480v
Secondary	120/240v
Conductor	Copper
Temp. Rise	115° C
Frequency	60 HZ
Taps	None
ESS	No
Insulation	180° C
Weathershield	N/A
Wall Bracket	Built-In
Weight (lbs)	50
Sound (dB)	40

Notes

All units are UL listed and are designed in accordance with applicable NEMA, ANSI and IEEE standards.

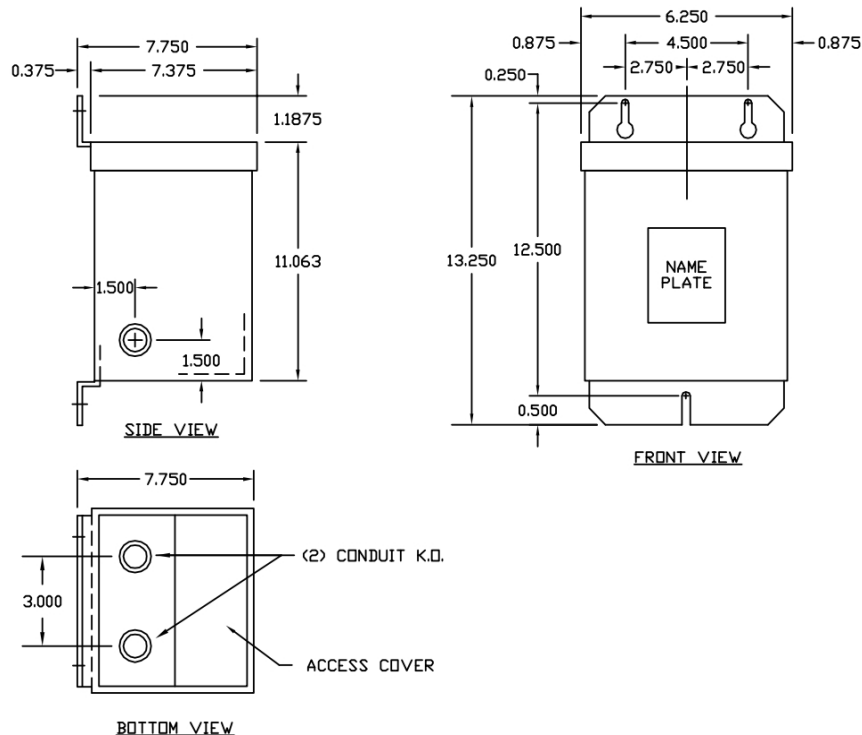
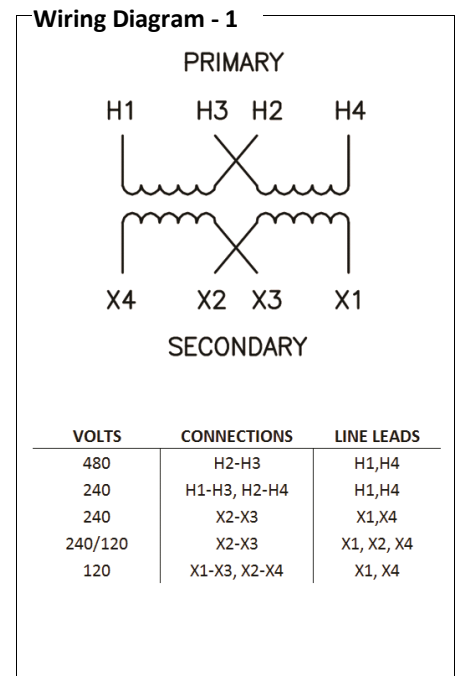
Transformers are dry-type AA, non-ventilated NEMA 3R enclosure.

Transformers are wall mounted. Wall mounting bracket is built into the enclosure.

Paint color is ANSI 61.

AMP Ratings

Line In (Load) @ 240V	8.3A
Line In (Load) @ 480v	4.2A
Load (Secondary) @ 120V	16.7A
Load (Secondary) @ 240V	8.3A



Outline No: 05A1464